

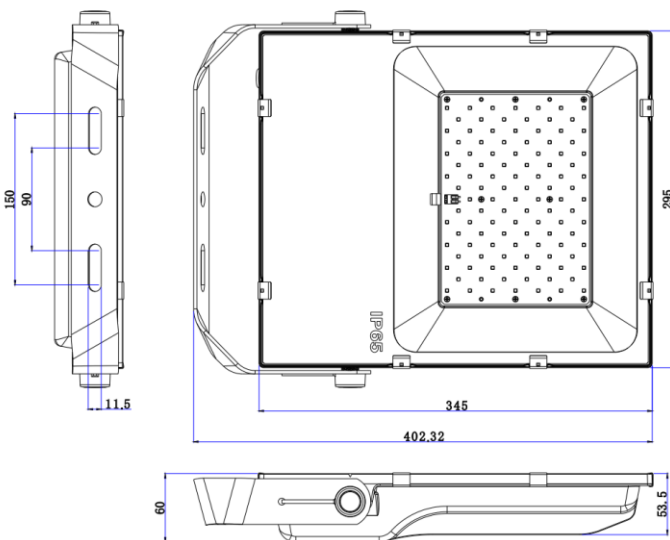
PRODUCT DESCRIPTION:

General flood lighting, corridor lighting, security lighting, and roof top lighting. Can also be used as a high bay.

FEATURES:

- Mercury Free
- No UV
- Flexible, modular design
- Easy Installation
- Daylight Sensor available

DIMENSIONS:



Flood Light 100W Spec



SPECIFICATIONS:

SPECIFICATION	Details
Model	
Input Wattage (W)	100W
Lumens Delivered (LM)	12,800LM
Efficacy (LM/W)	128LM/W
CRI	75
Lifespan	50,000 hours
Color Temperature	5,000K
Wattage Equivalent	200W – 250W
Dimmable	No
IP Rating	IP65
Beam Angle	120
Input Voltage	AC100-277V
Power Factor	0.95
Housing	Aluminum
Lens	Clear
Mounting	Bracket
THD	13%
Size	15.83" x 11.61" x 2.10"
Certification	DLC, ETL, FCC, CE RoHS, TUV, ISO9001
Operating Temperature	-20°C to 50°C (-4°F to 122°F)
Environment	Outdoor
Warranty	5 years limited

OPTIONAL ACCESSORIES:

Photocell

