



LOGICAL GREEN

SOLUTIONS



The LED Round High Bay delivers top of the line efficiency, durability and versatility, resulting in dramatic energy savings, low maintenance and adaptability across a wide range of high ceiling applications.

It's unique look sets it apart from the competition, but there's more to this look than aesthetics. The polycarbonate prismatic lens distributes even illumination while minimizing glare, while also guaranteeing long term durability. The die cast aluminum heat sink separates the LEDs from the driver, creating enhanced air flow and better efficiency.

For applications where motion sensing or daylight harvesting are needed, the LED Round High Bay is the solution. Our built-in sensor option includes a PIR sensor that enables customization to fit your needs, adjusting settings such as brightness, sensitivity, daylight harvesting, etc. To further simplify the customization process, all settings can be adjusted from the ground via our Sensor Remote Control.

KEY FEATURES

- 100,000-hour rated life
- 10-year warranty
- DLC Premium
- Polycarbonate prismatic lens
- PIR sensor option
- IP69K
- IK10
- 0-10V dimming
- Hook, pendant or yoke mounting
- 10' cord
- Safety cable

MARKETS

- Warehouse & storage
- Industrial facilities
- Sports facilities & gyms
- Manufacturing facilities
- Retail centers

APPLICATIONS

- High ceilings
- Task lighting



SPECIFICATIONS

Average Rated Life: 100,000H

CRI: 83

Power Factor: ≥0.9

Mounting: Snap hook

Beam Angle: 120°

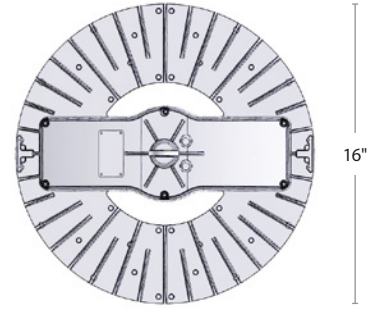
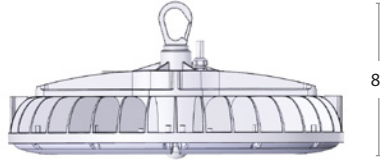
Surge Protection: 3KV

Operating Temperature: -10°F to 115°F

Volts: 120-277

Dimming: 0-10V

Weight: 15 lbs.



ORDERING INFORMATION

STANDARD MODEL WITHOUT SENSOR

WATTS	VOLTS	DESCRIPTION	CCT (K)	LUMENS
115	120-277	115W 120-277V HIGH BAY IN 4000K	4000	16,100
		115W 120-277V HIGH BAY IN 5000K	5000	16,100
175		175W 120-277V HIGH BAY IN 4000K	4000	24,500
		175W 120-277V HIGH BAY IN 5000K	5000	24,500
240		240W 120-277V HIGH BAY IN 4000K	4000	33,600
		240W 120-277V HIGH BAY IN 5000K	5000	33,600

STANDARD MODEL WITH SENSOR

WATTS	VOLTS	DESCRIPTION	CCT (K)	LUMENS
115	120-277	115W 120-277V HIGH BAY IN 5000K WITH SENSOR	5000	16,100
175		175W 120-277V HIGH BAY IN 5000K WITH SENSOR	5000	24,500
240		240W 120-277V HIGH BAY IN 5000K WITH SENSOR	5000	33,600

ACCESSORIES

SENSOR REMOTE CONTROL

DESCRIPTION	USAGE
REMOTE CONTROL FOR SENSOR	<p>Used to fine-tune sensor settings after installation, from the ground.</p> <ul style="list-style-type: none"> Brightness - Set the output level (in %) of connected lighting during occupancy Sensitivity - Set the occupancy sensing sensitivity Hold time - Set the time that the sensor will hold after the area has been vacated Daylight harvesting - Set the threshold of natural light level Stand-by dim/time - Set the light level/time required after the hold time has elapsed Ability to pre-program 4 separate modes which can be saved and transferred from one fixture to another



PENDANT MOUNTING COVER

DESCRIPTION	USAGE
PENDANT MOUNTING COVER	Used to accommodate pendant mount installations with 3/4" NPT pipe

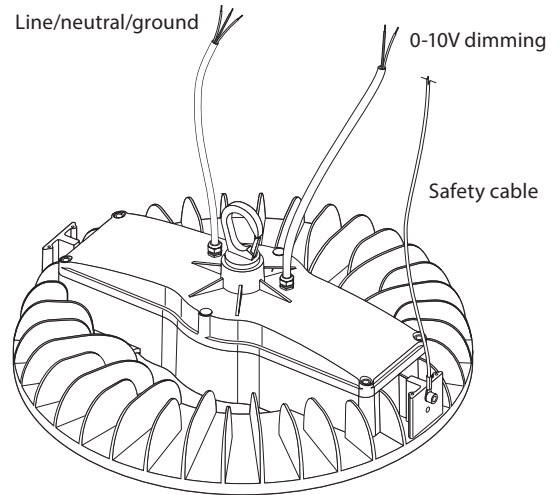
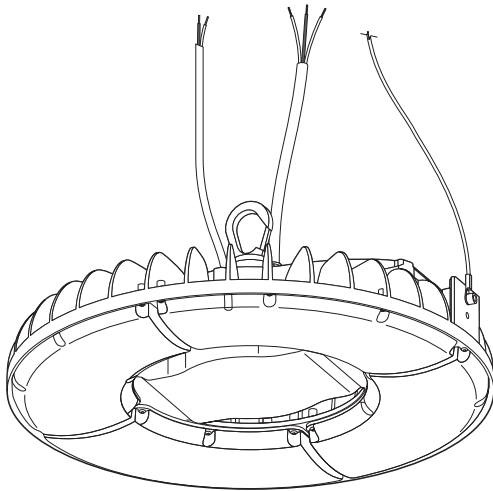


WHAT COMES IN THE BOX

- Built in 0-10V dimming wires (1' (non-sensor model only)
- Snap hook
- Input wire (10')
- Safety cable (5') and bolt
- 2 waterproof wire nuts (non-sensor model only)
- Installation Instructions

PRODUCT OVERVIEW

NON-SENSOR MODEL



SENSOR MODEL

